

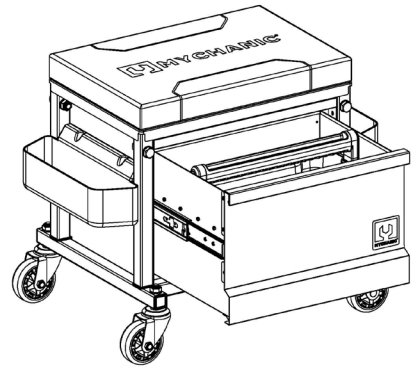


## Operating Instructions for Model 53072,53182 SIDEKICK STOOL - SK3

Read and understand this entire manual before assembling, installing, operating, or servicing this product. Failure to follow all warnings and instructions may result in property damage and/or serious injury.

### SPECIFICATIONS

- Overall Dimensions: 23" W x 18.63" D x 17.4" H (58.4 cm x 47.3cm x 44.2 cm)
- Weight: 26.4 lbs (12 kg)
- Maximum Weight Capacity for Drawer: 20 lbs. (9.1kg)
- Maximum Weight Capacity for Each Side Tray: 11 lbs. (5 kg)
- Maximum Weight Capacity for Unit (including tools): 500 lbs. (227kg)



### IMPORTANT SAFETY INFORMATION



**CAUTION:** Failure to read and follow all warnings below could result in property damage or personal injury. Always use care when working with tools.

### ASSEMBLY PRECAUTIONS

- Assemble only according to these instructions. Improper assembly can create hazards.
- Keep children, pets, and bystanders out of the area during assembly. Distractions can cause you to lose control of tools, injuring yourself or others.
- Weight capacity and other product capabilities apply to properly and completely assembled product only. Do not use if incompletely or improperly assembled.

### USE PRECAUTIONS

- This product is not a toy. Do not allow children to play with or near this item and store out of reach of children.
- Use the stool and accessories as intended and in accordance with these instructions, taking into account the working conditions and the work to be performed. Use of the stool for operations different from those intended could result in a hazardous situation.
- Inspect before every use; do not use if parts are loose or damaged.
- Do not exceed weight capacity of 500 lbs. (227 kg).
- NOTE: Be aware of dynamic loading! Sudden shifts in the load may briefly create excess load, which may result in product failure.
- Store idle equipment. When not in use, this product must be stored in a dry location to inhibit rust.
- The warnings, cautions, and instructions discussed in this instruction manual cannot cover all possible conditions and situations that may occur. It must be understood by the operator that common sense and caution are factors which cannot be built into this product but must be supplied by the operator.



**WARNING:** Do not stand on Stool Pad (1) or Plastic Trays (3). Serious injury can occur.

### MAINTENANCE

- When servicing, use only identical replacement parts.
- To clean, wipe down with dry or slightly damp cloth. Do not use solvents, as this can damage the upholstery. Be sure to wipe off oil and other fluids when finished using.

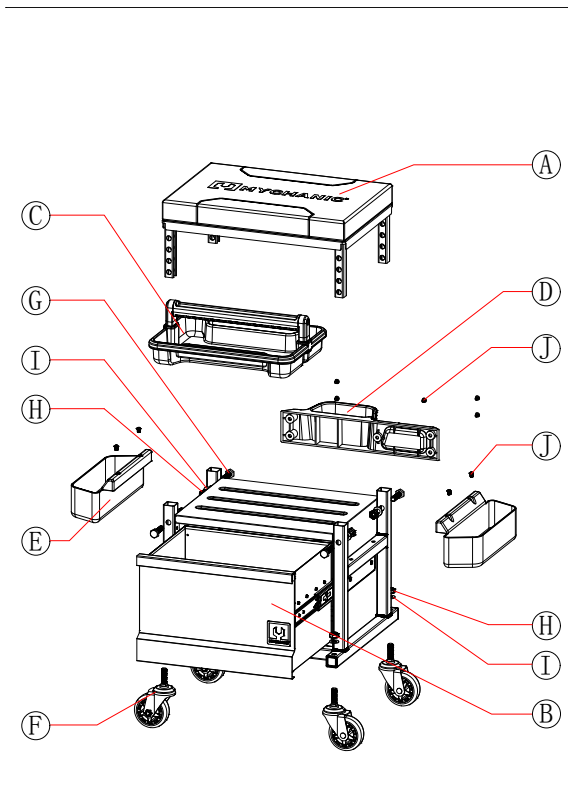
### WARRANTY - UNITED STATES ONLY

#### TWO YEAR LIMITED WARRANTY

This product is warranted to be free of defects in materials and workmanship for two years from the date of purchase for the original purchaser. Proof of purchase date will be required. The manufacturer is not responsible for any consequential or incidental damages arising from the breach of this or any other warranty, whether express, implied or statutory. Some states do not allow the expulsion or limitation of consequential or incidental damages, so the above exclusion may not apply to you. This warranty gives you specific legal rights, and you may also have other rights which vary from state to state.

Any attempt to self-repair will void the limited warranty. Valid only in the USA.

# PARTS LIST AND ASSEMBLY INSTRUCTIONS



KEY	PART DESCRIPTION	QTY
A	Seat	1
B	Metal Drawer Assembly	1
C	Tool Caddy	1
D	Drill Holster	1
E	Side Storage Tray	2
F	3" Premium Casters	4
G	Bolt	4
H	Lock Nut	8
I	Metal Washer	12
J	Phillips Head Machine Screws	9

**Note:** Some parts are listed and shown for illustration purposes only and are not available individually as replacement parts.

- STEP 1** Install the 4 casters to the rolling seat frame. Ensure that the casters are tightened down with a washer and lock nut. Check nut tightness periodically to ensure the safety of the user.
- STEP 2** Attach the Side Frame Trays to the middle of the Body Frame using Philips head machine screws. There are 2 pre-drilled and threaded pilot holes where the Side Frame Trays will fasten on each side of the rolling seat frame. Note: the side frame trays are easier to install with the seat removed from the frame.
- STEP 3** Attach the Drill Holster to the backside of the Sidekick. There are 5 threaded inserts that will align with holes on the holster. Fasten the holster to the backside using 5 Philips head machine bolts.
- STEP 4** Determine the desired height of the seat. The seat height can be adjusted by lifting the seat up and inserting machine bolts through the metal frame of the rolling seat that align with the holes in the seat arms. Use a washer and locking nut on the backside of the bolt to ensure the bolt is held into place during use.

## DISTRIBUTED BY

DELK, Inc.

Nashville, TN 37209

MYCHANIC.com

©2020 DELK, Inc. All Rights Reserved. The DELK®, MYCHANIC®, TURN YOUR OWN WRENCH, and MYCHANIC Logo® Trademarks are property of DELK, Inc.

A072919